

Productdesign: Andreas Bürki and Team bigla

BRS Bigla Shelf System

Accessories

Acrylic back



Frame and Storage System



white grey
160*
1160**
NCS S 0502-B



light grey
159*
1159**
NCS S 2502-B



anthracite
158*
1158**
NCS S 7502-B



black
157*
1157**
NCS S 9000-N



silver
180*



aluminium
190*



anthracite
metallic
1188**

* smooth ** fine texture

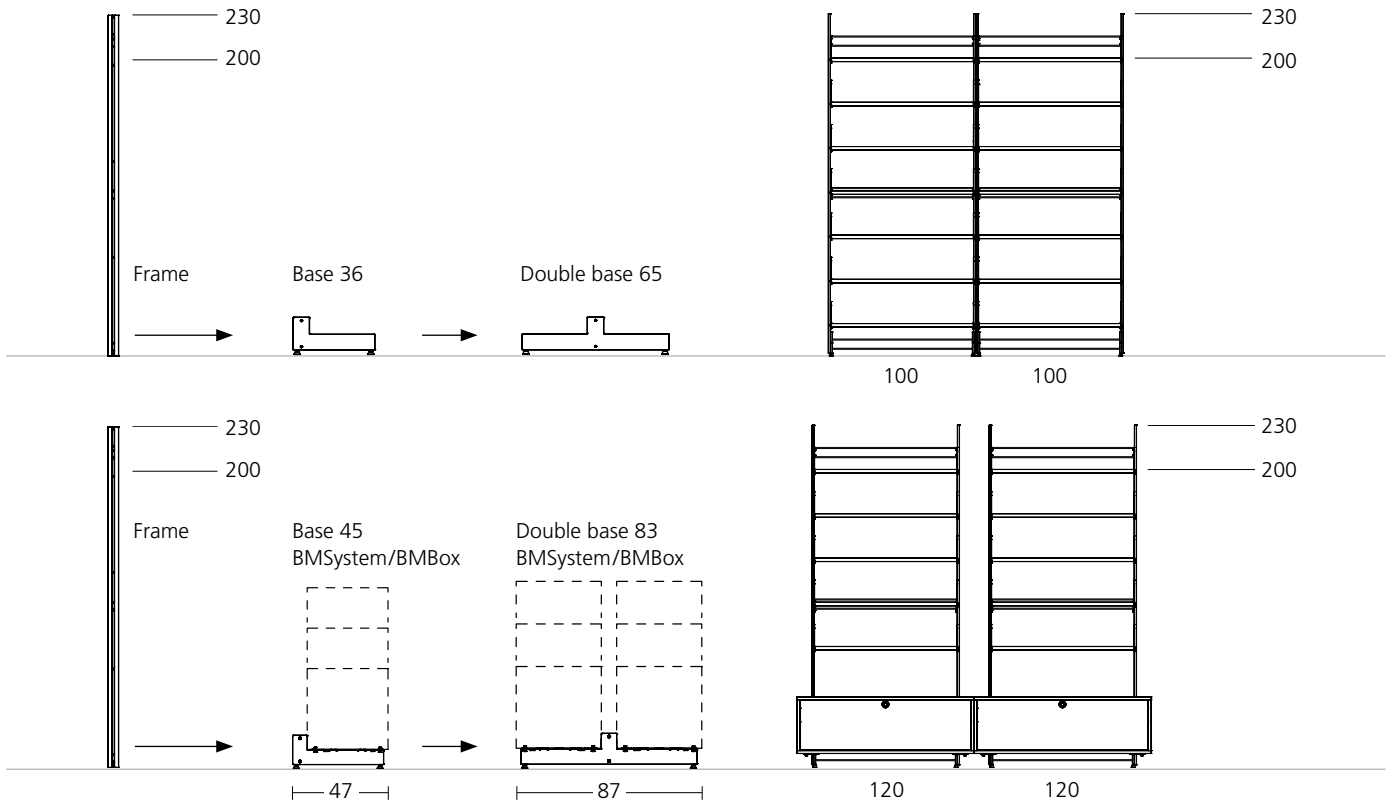
Detail



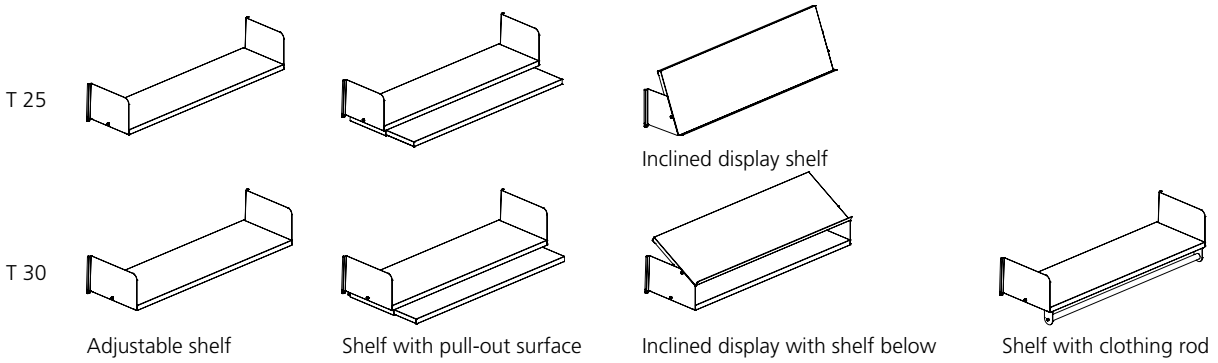
Shelves adjustable in increments of 1 cm,
even when loaded



Shelf system



Shelves



System heights

